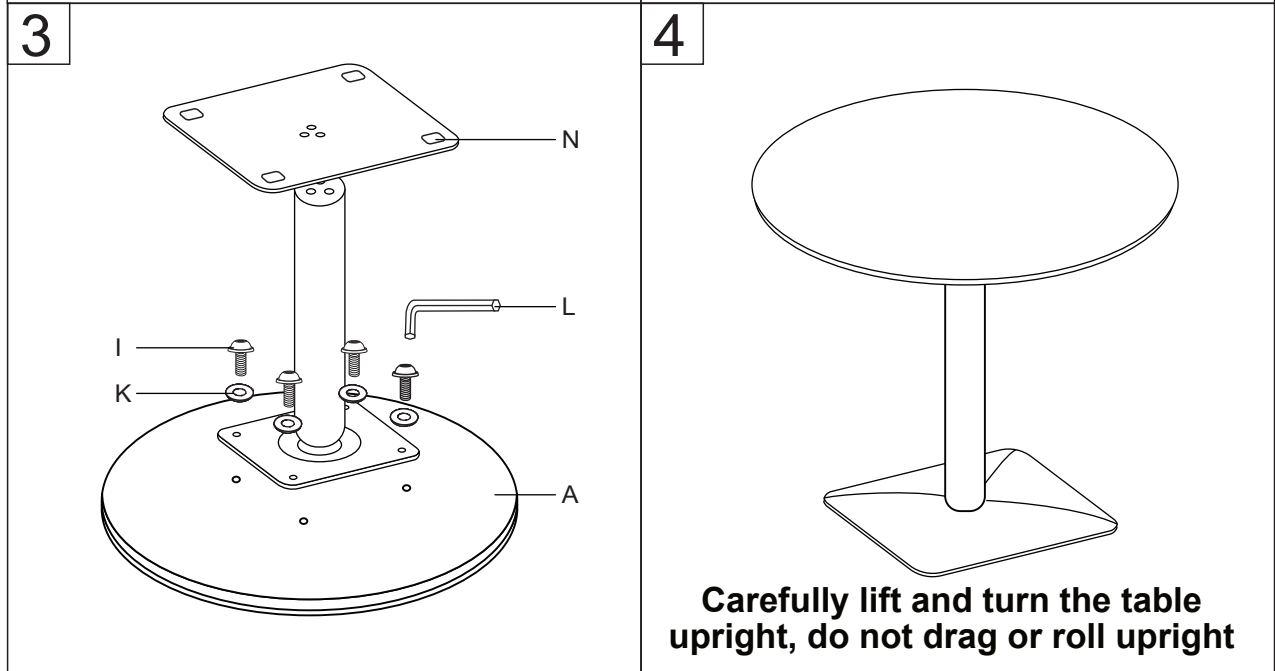
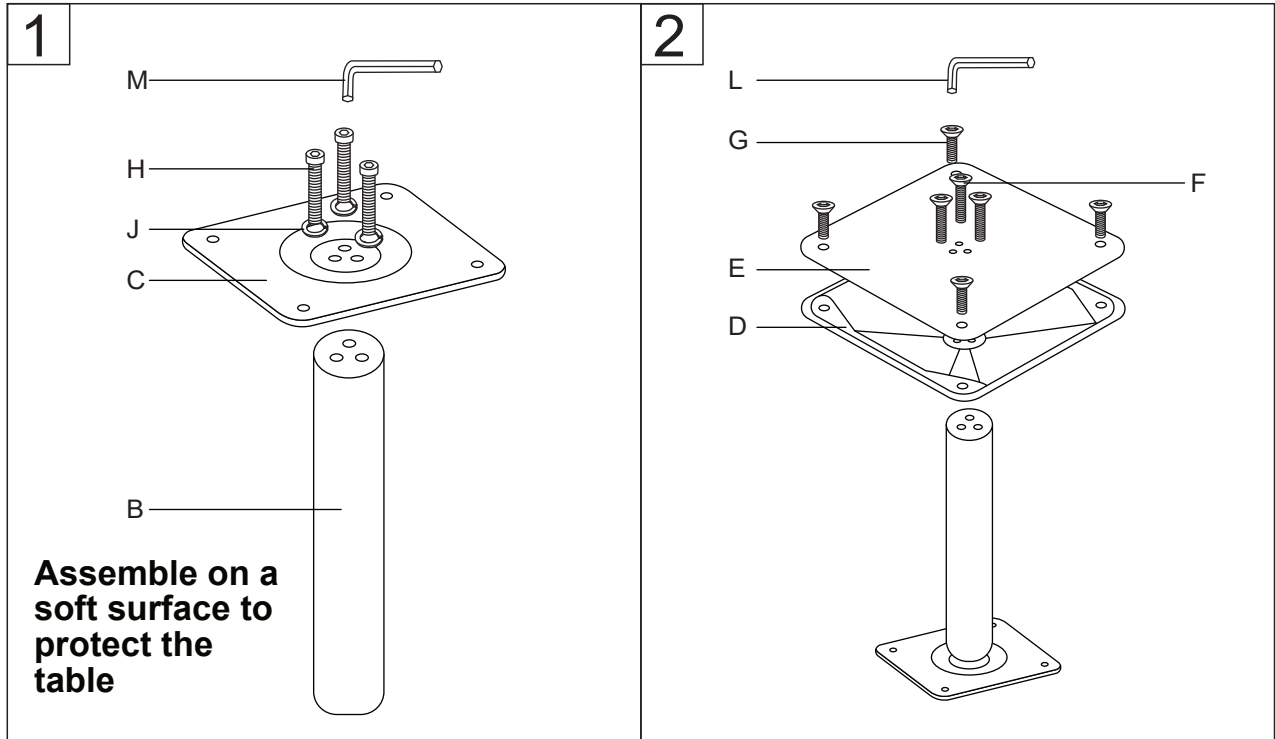


## ASSEMBLY INSTRUCTIONS



Ax1 	Bx1 	Cx1 	Dx1 	Ex1 	Fx3 	Gx4 
Hx3 	Ix4 	Jx3 	Kx4 	Lx1 	Mx1 	Nx4 