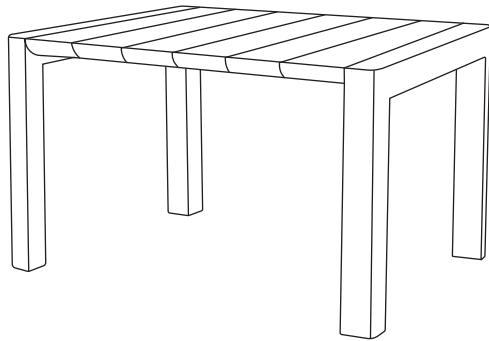
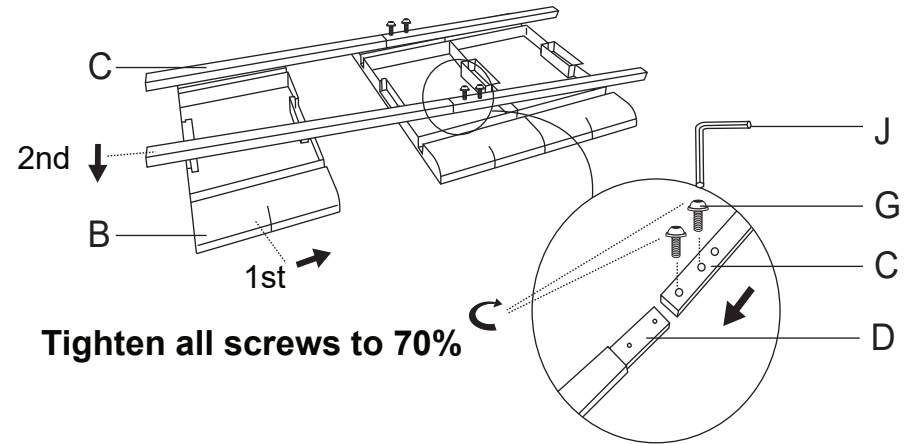


ASSEMBLY INSTRUCTIONS

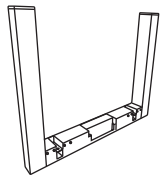
Assemble on a soft surface to protect the tabletop



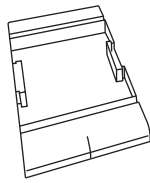
1



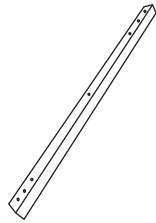
Ax2



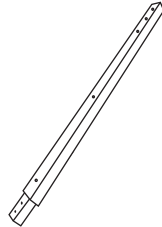
Bx3



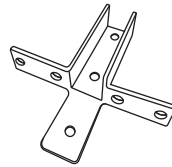
Cx2



Dx2

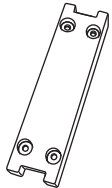


Ex4



2

Fx4



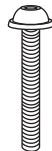
Gx32



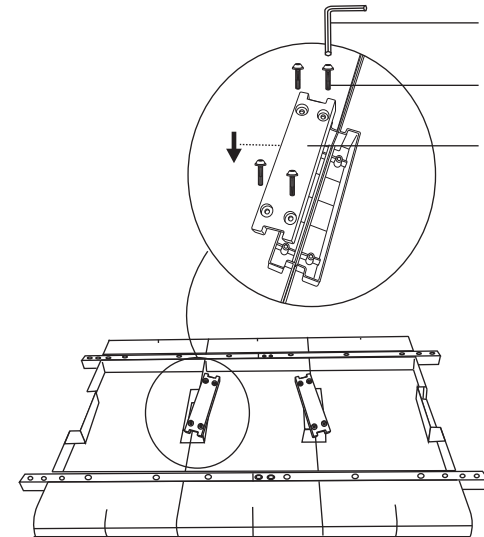
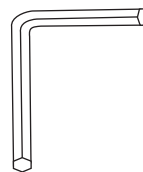
Hx16



Ix12



Jx1



ASSEMBLY INSTRUCTIONS

