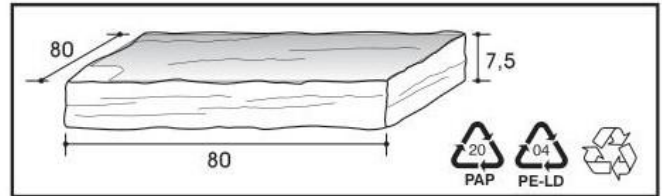


# Salerno Table



## IMPORTANT RETAIN FOR FUTURE REFERENCE READ CAREFULLY

Any guarantee or warranty is excluded in the event of misuse, abuse or disrespect of the instructions for use. We hereby decline any responsibility for any consequential damages. Safety procedures must be followed.

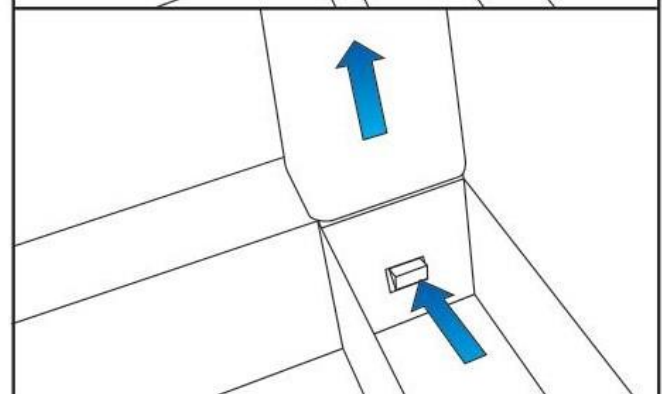
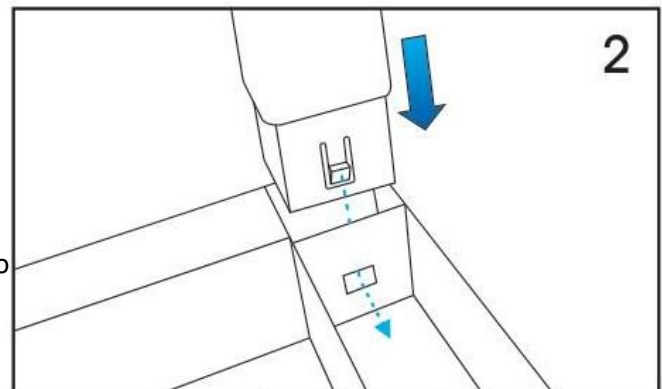
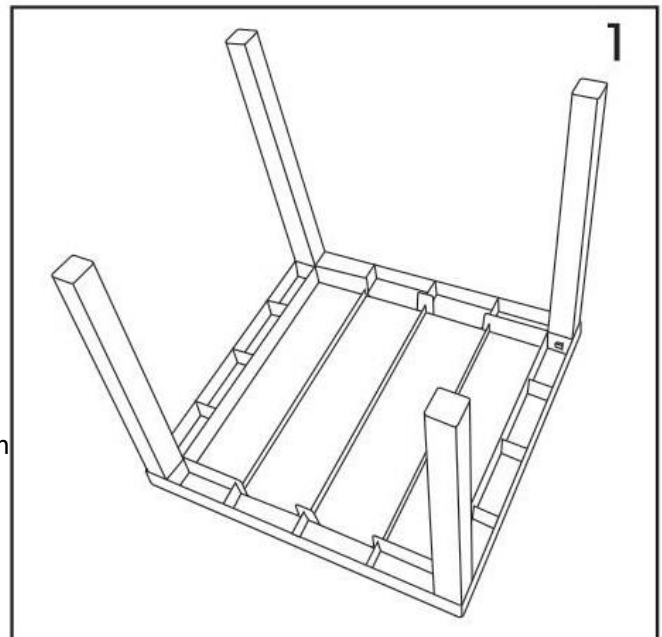
**INSTRUCTIONS FOR USE:** Thoroughly and completely read the instructions prior to use. For private and domestic use only.

Square table **ASSEMBLY** (see fig. 1-2) During the preparation of the product, use caution to prevent pinching of one's fingers 1. Turn the tabletop upside down, place it on the floor. 2. Insert the legs in the opposite openings. 3. It takes two people to turn the table back to its correct side before use.

**WARNINGS** 1. Do not stand on this product. 2. Use the product only on flat surfaces. 3. Before each use, place the table firmly. 4. Before each use, inspect the product for any damage and to make sure all the parts are connected.

**MAINTAINENCE AND STORAGE** To clean use mild soap and water, do not use bleach, acid or abrasive cleaners. Keep in a cool, dry place. **DISPOSAL:** Dispose of product according to the laws in force. Respect the law and Obligation regarding the environmental laws in force. **TECHNICAL DATA:**

Material: Polypropylene (PP) - Dimensions: approx. cm 79x72x79 (Length/Height/Width) Weight: 6,2 Kg.; Maximum weight 65 Kg



**Europa Leisure**